

Product Data Sheet

Gear Motor 01SJN4-KD

01SJN4-KD is a DC gear motor with hollow shaft to drive an hex rod (not included). In addition to the compact size and low noise level, it also provides positioning feedbacks using dual Hall effect sensors to support advanced control functions. 01SJN4-KD is an economical and high quality drive solution, which possesses wide applications.



Features and Options

Main application: Furniture

Standard features:

- Input voltage: 24V DC
- Max. speed at no load: 110rpm after gear reduction
- Max. torque: 7Nm
- Dual Hall effect sensors positioning feedback
- Hollow shaft: Hexagon 6mm diameter
- Noise level: ≤ 53 dB
- IP level: IP30
- Color: Black
- Power cord length: 1000mm straight
- Duty cycle: 10%, max. 2 min. continuous operation in 20 min.
- Operating ambient temperature: 0°C ~ +45°C
- Certified: CE marking, EMC Directive 2014/30/EU

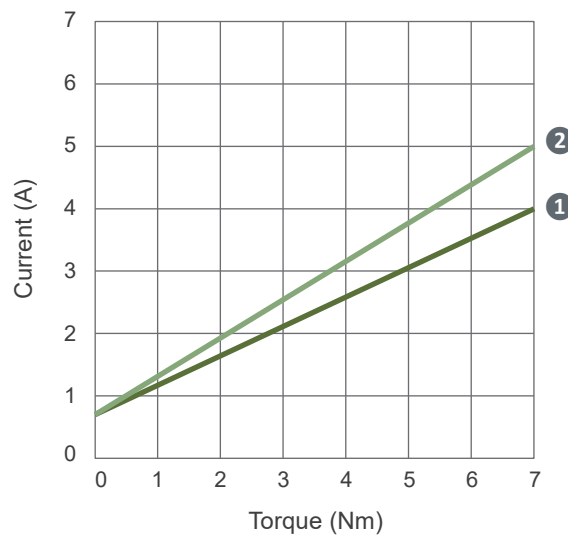
Options:

- Standard motor / High speed motor

Performance Data

No.	Model No.	Drive torque Max. (Nm)	* Typical speed (rpm)		* Typical current (A) @ 24V DC		Dual Hall effect sensors resolution (ms)
			No load	Full load	No load	Full load	No load
①	01SJN4-KD-24-A01-X-X	7	83	0.7	4	21~26	
②	01SJN4-KD-24-F02-X-X	7	110	0.7	5	16~20	

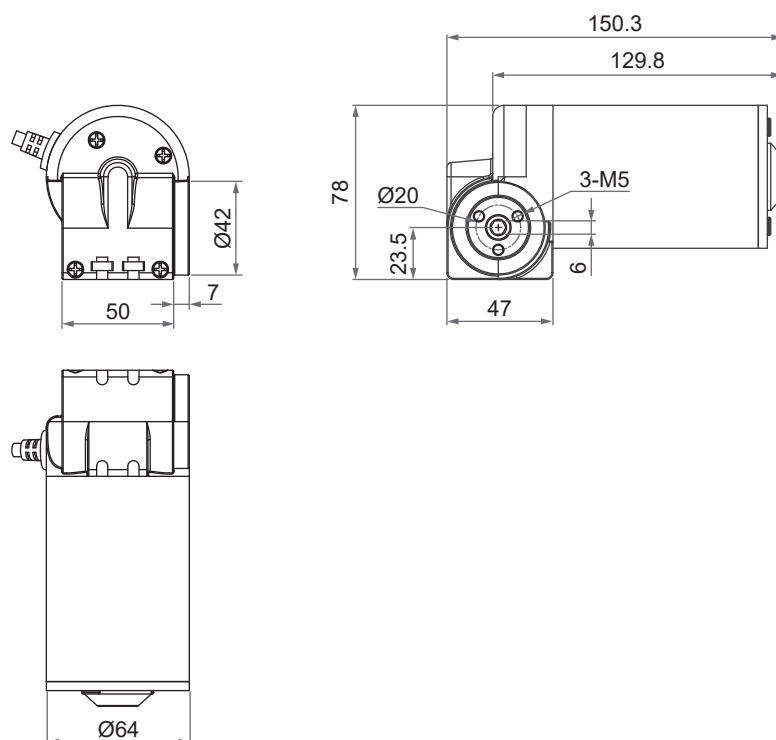
Current vs. Torque



Remarks:

- * The typical speed or typical current means the average value neither upper limit nor lower limit. The performance curves are made with typical values.

Dimensions

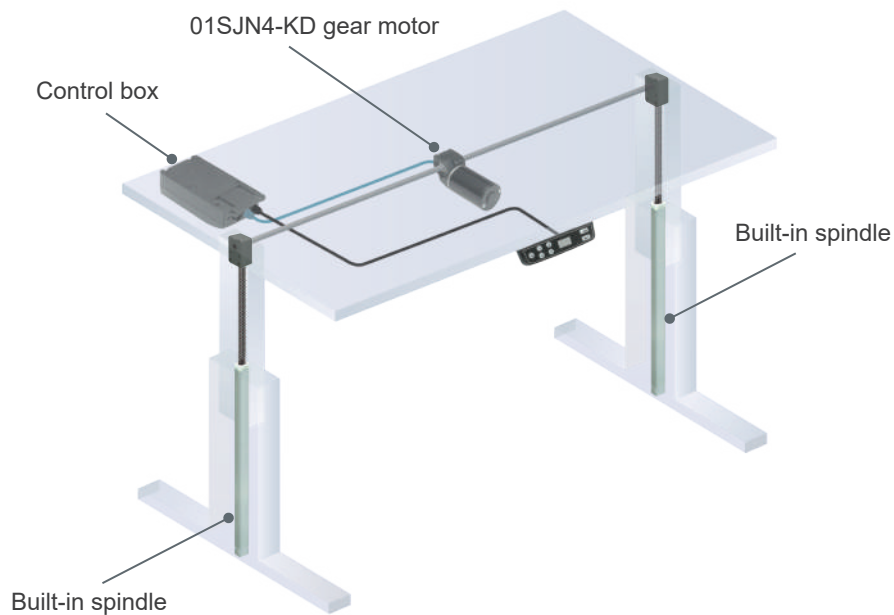


Unit: mm

Compatibility

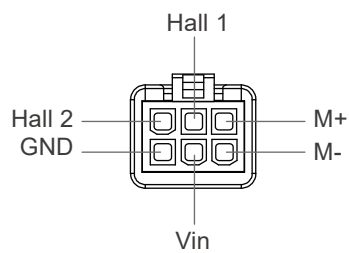
Product	Model	01SJN4-LF spec
Control box	01XD11S, 01XD13	<ul style="list-style-type: none"> • With dual Hall effect sensors • With L3-type minifit 6-pin plug
Built-in spindle	01SJA2, 01SJA3	<ul style="list-style-type: none"> • Drive by hexagon metal rod (not included) • Hollow shaft hex 6mm

Application example:



Cable Plug

L3-type minifit 6-pin plug



L3-type plug

Note:

Connect M+ to "Vdc +" & M- to "Vdc -" of DC power, the motor will turn counterclockwise. Switch the polarity of DC input to turn clockwise direction it.



Ordering Key

01SJN4-KD - 24 - A01 - 1 - 3

Input voltage	24: 24V DC
Motor type <i>(Refer to Page 2)</i>	A01: Standard motor (2500rpm, gear ratio 30:1) F02: High speed motor (3300rpm, gear ratio 30:1)
Power cord length	1: 1000mm straight
Cable plug <i>(Refer to Page 3)</i>	3: L3-type minifit plug

Certifications

01SJN4-KD gear motor is compliant with the following regulations, in terms of the essential conformity requirements of EMC Directive of 2014/30/EU.

Emission	Immunity
EN 55014-1:2017 EN 55014-1:2017/A11:2020	EN 55014-2:2015