

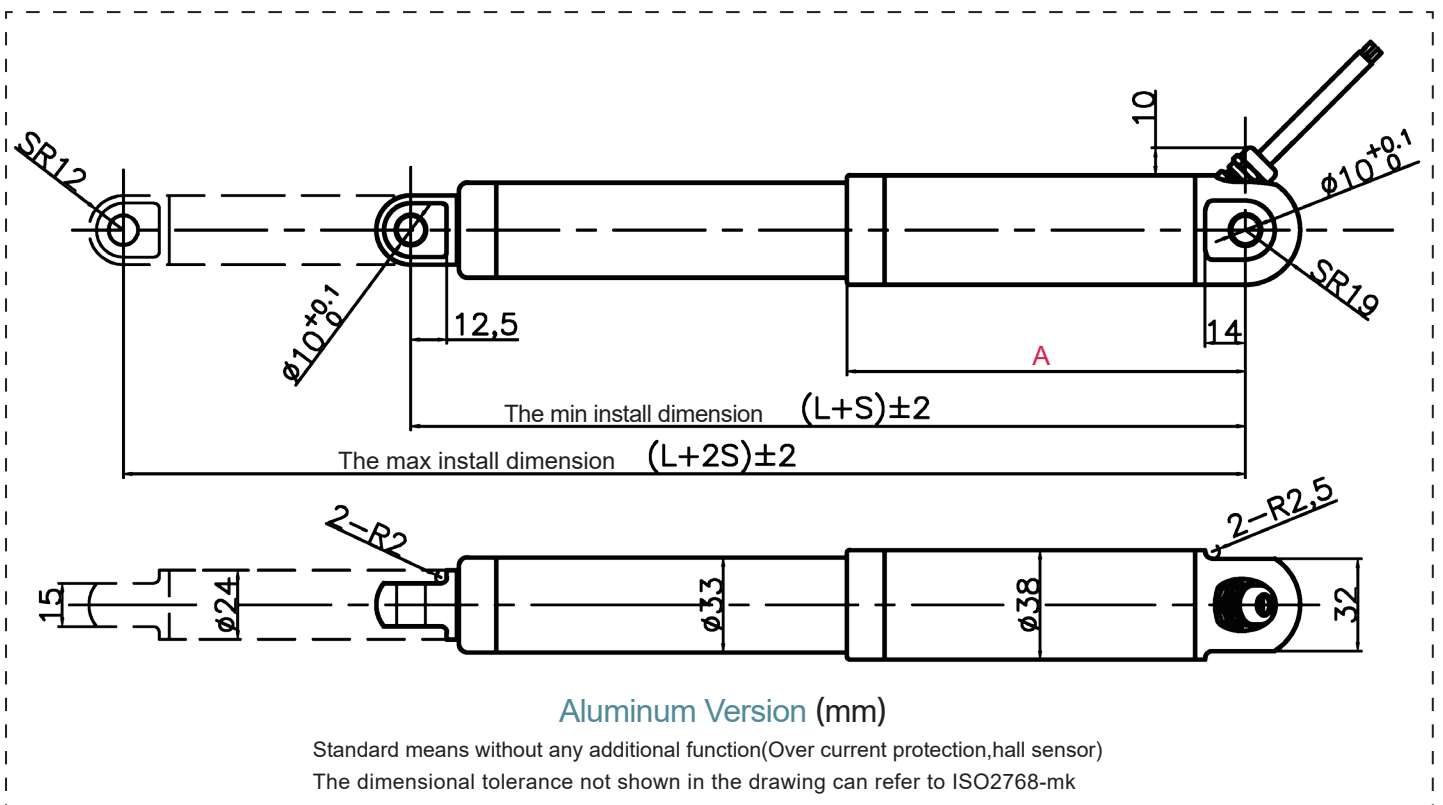
# 13PBR-38

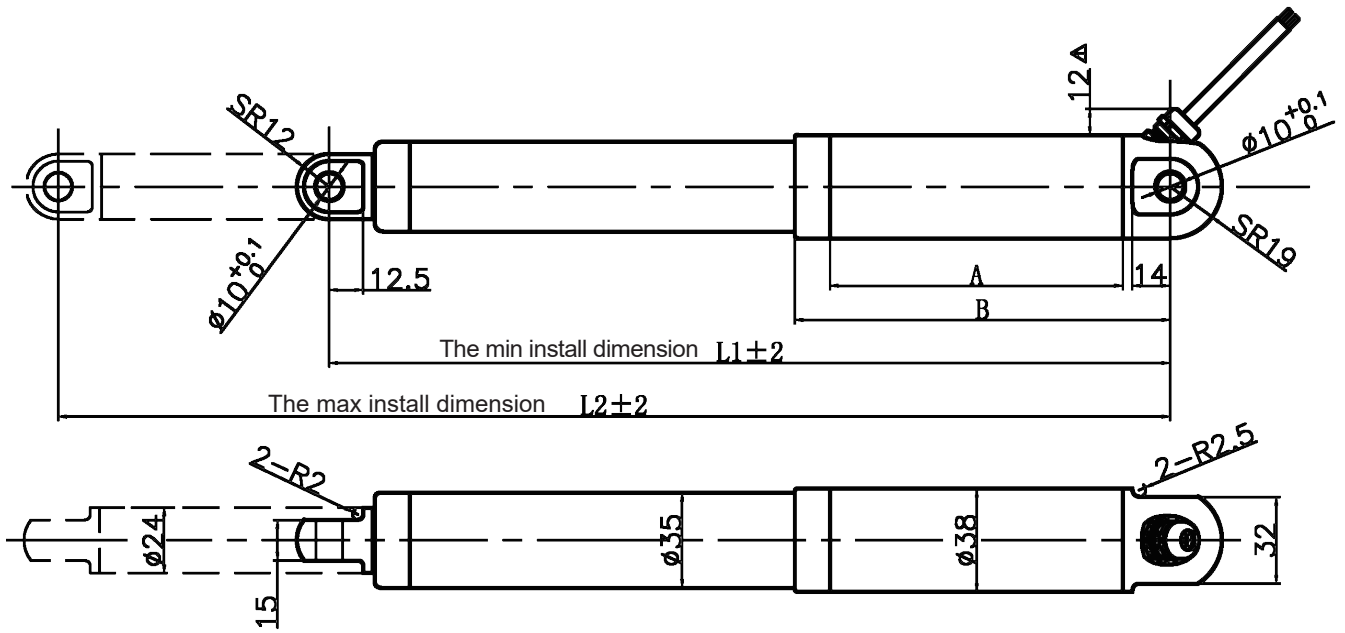
## FEATURES AND BENEFITS



- 13PBR-38 is a upgrade version of 13PBR-35 but with internal limit switches for ends stop.
- Thanks to the end limits design, 13PBR-38 can make up the inadequacy of 13PBR-35 for the two ends protection also a straight moving shaft.
- 13PBR-38 is a slim in-line actuator with a robust design, high efficiency, hall sensor for positioning and synchronous function.
- Also stainless steel version as option for marine and harsh environments.

## DIMENSION





**Stainless Steel Version (mm)**

Standard means without any additional function(Over current protection,hall sensor)

The dimensional tolerance not shown in the drawing can refer to ISO2768-mk

13PBR-38 Min. Install dimension	(mm)	Limit Switch		Hall sensor		Over current protection	
		Normal	Low noise	Normal	Low noise	Normal	Low noise
≤800N	L+S	200+S	210+S	220+S	220+S	220+S	-
	A	128.5	138.5	148.5	148.5	148.5	-
>800N	L+S	210+S	220+S	230+S	230+S	230+S	-
	A	138.5	148.5	158.5	158.5	158.5	-

- Noise level 55dB for the low noise version.

## STANDARD SPECIFICATIONS

<b>Voltage(V)</b>	12	24	<b>Protection Class</b>	IP66/67M
<b>No-load current(A)</b>	≤0.7	≤0.35	<b>Operating temperature(°C)</b>	-20~60
<b>Load current(A)</b>	≤3.8	≤1.8	<b>Storage temperature(°C)</b>	-40~70
<b>Max. Power(W)</b>	60		<b>Noise on load (dB)</b>	60
<b>Material of outer tube</b>	6063 Aluminium/304 stainless steel		<b>Backlash (mm)</b>	0.5-1
<b>Material of lead screw</b>	Trapezoid,Steel		<b>Colour</b>	Black
<b>Material of piston rod</b>	304 stainless steel		<b>Certification</b>	CE
<b>Material of the nut</b>	Plastic		<b>Wire connection</b>	Bare wire/4 pins connector 6 pins connector
<b>Working duty(S2)</b>	Work 2 minutes and rest 18 minutes		<b>End mounting</b>	O type
<b>Life time(cycles)</b>	≥10k		<b>Wire length(m)</b>	1.5

## TECHNICAL DATA

<b>Max Load(N)</b>	100	300	400	600	800	1200	1800	2300
<b>Self-locking Force(N)</b>	150	600	600	1600	1600	1800	3600	3450
<b>No-load Speed(mm/s)-Normal</b>	35	25	18	12	12	6.8	4.5	3.5
<b>Load Speed(mm/s)-Normal</b>	30	17	14	9	7	5	3	2.5
<b>No-load Speed(mm/s)-Low noise</b>	25	25	16.5	13	8.5	5	3.3	3.3
<b>Load Speed(mm/s)-Low noise</b>	23	20	14	10.5	7	4.5	3	2.5

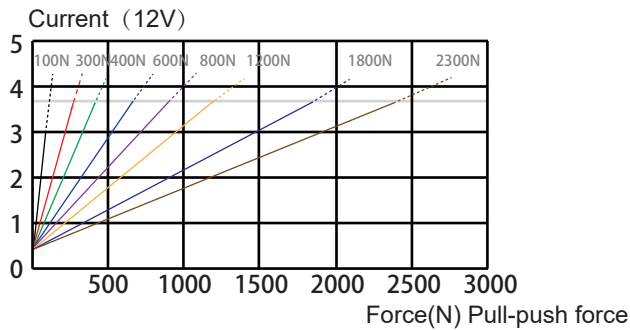
<b>Stroke(mm)</b>	50	100	150	200	250	300	350	400
<b>Weight(kg)</b>	0.85	0.95	1.05	1.15	1.25	1.35	1.45	1.65

- Customized stroke lengths are available.
- The min stroke:20mm ,the max stroke:500mm.
- The stroke's precision is ±2 mm.
- Low noise version with 20mm/s speed at 100N load and no load speed 22mm/s.

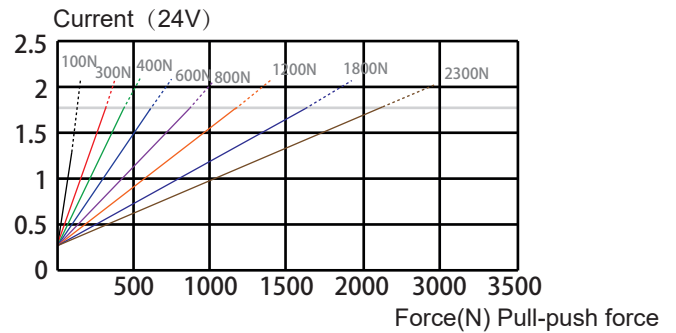
# CURVE

Accuracy of speed or current :  $\pm 10\%$ , in general, applications in the dashed are not recommended.

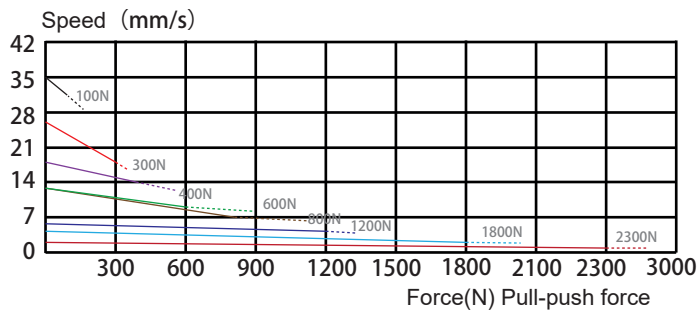
## CURVE(Force/ current)



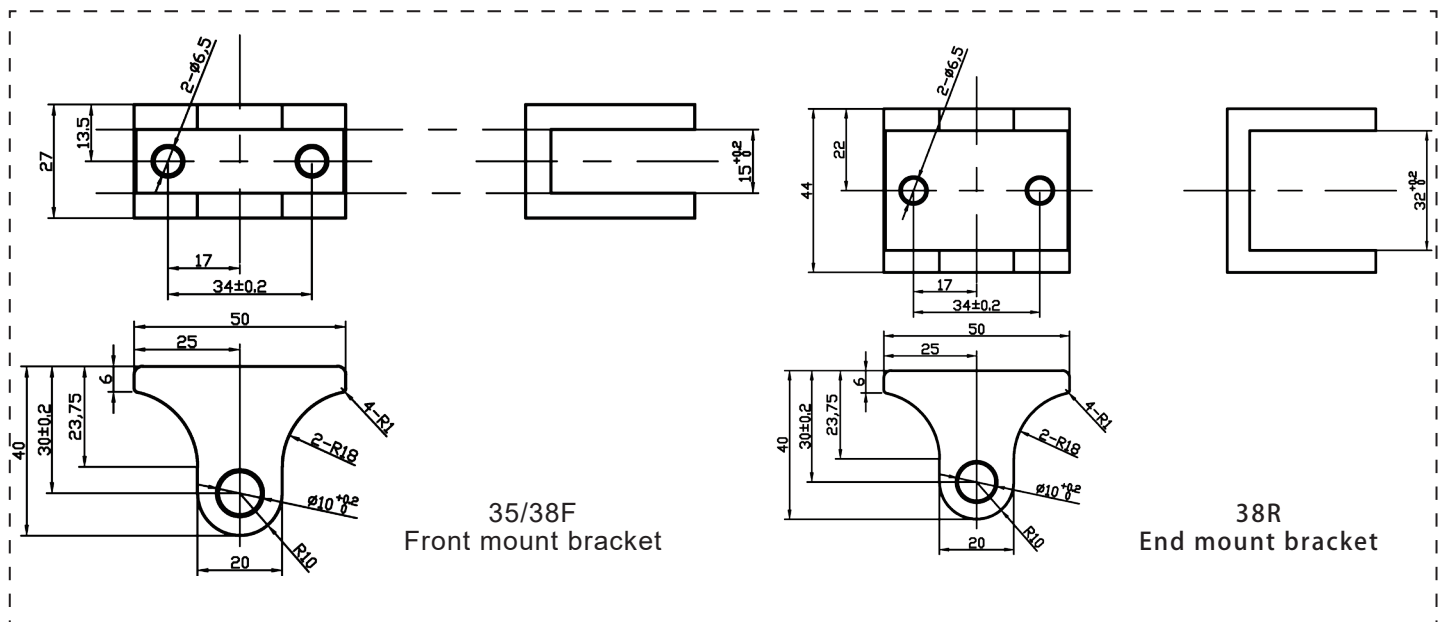
## CURVE(Force/ current)



## CURVE(Speed/force)



# MOUNTING BRACKET



# CONTROLLERS AVAILABLE

One actuator output controller, Two actuator output controller, Three actuator output controller.