

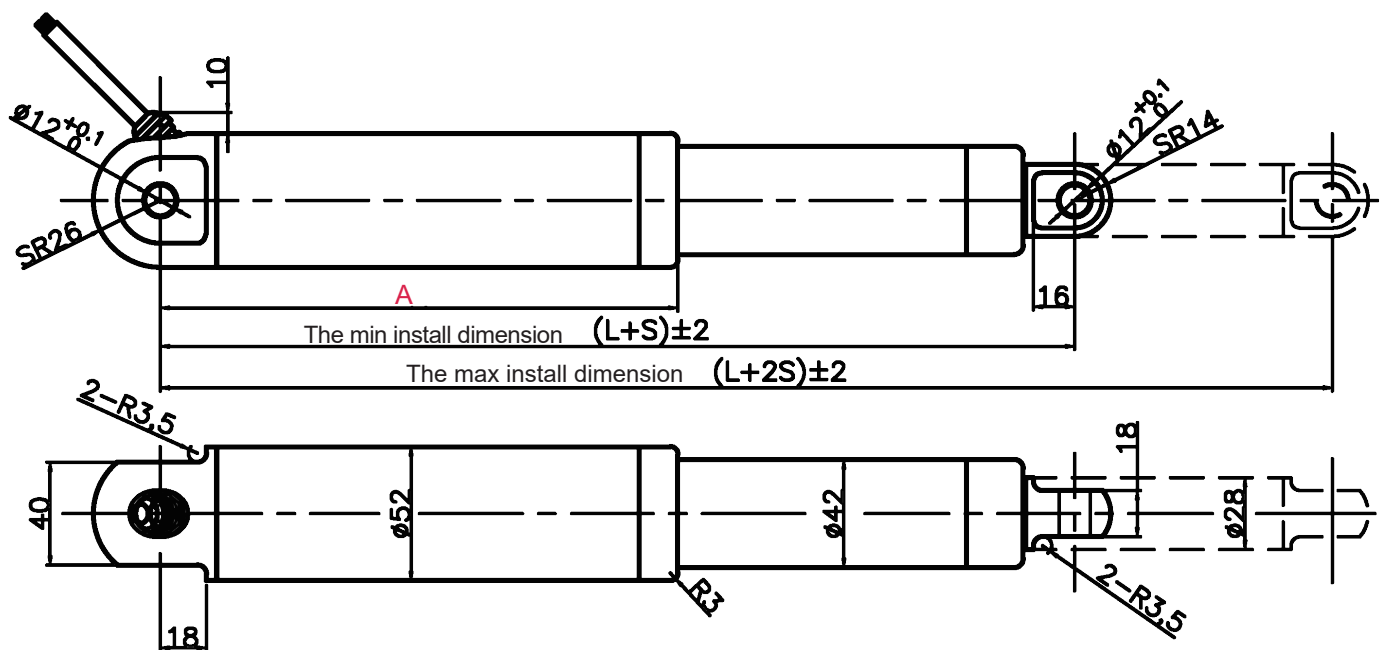
13PBR-52



FEATURES AND BENEFITS

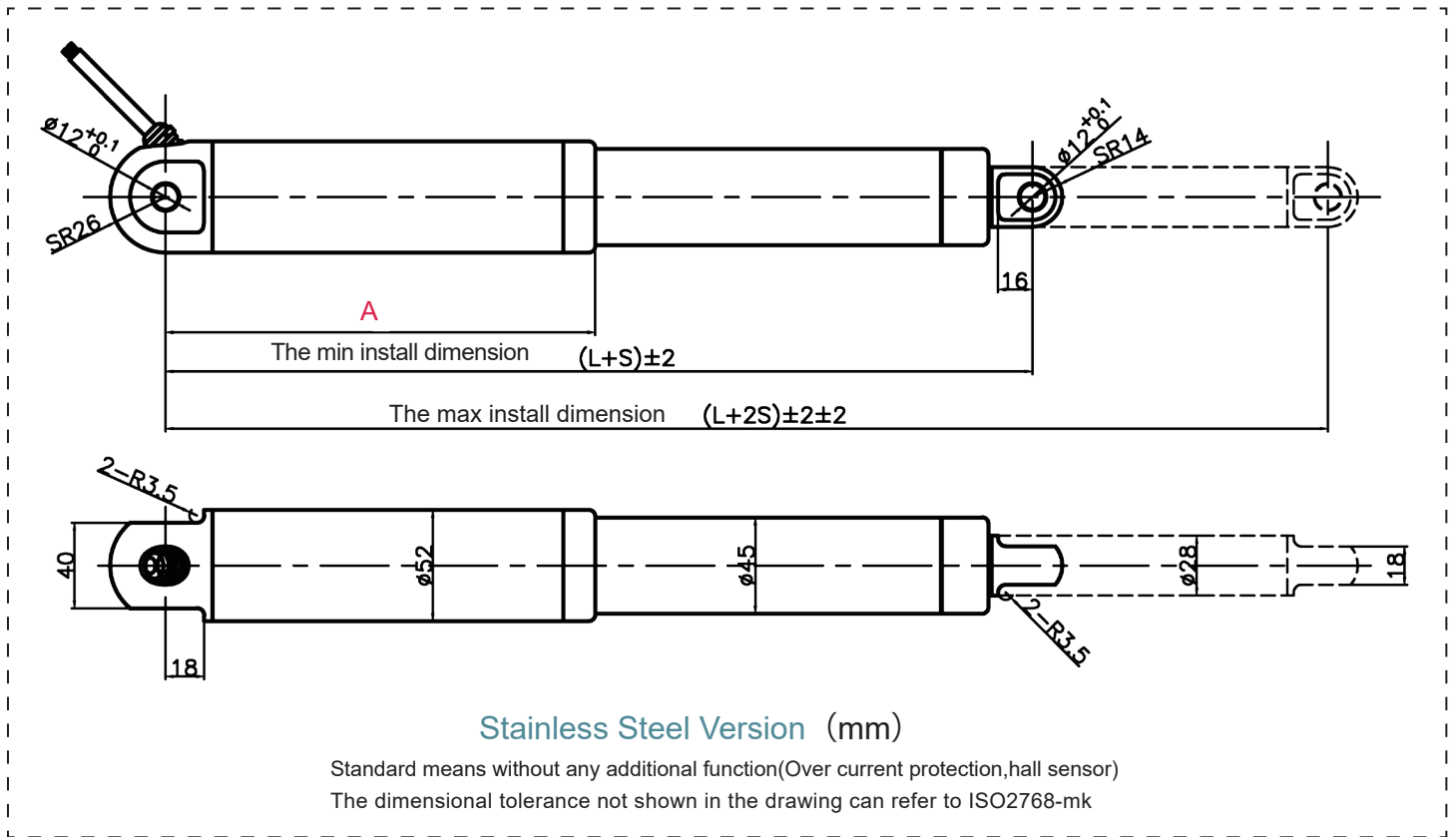
- 13PBR-52 is a powerful in-line linear actuator with max load capacity 6000N.
- Thanks to its clean design, high load capacity, IP67M protection, synchronous working, 13PBR-52 is ideal for outdoor applications where the actuators will be visible, such as skylight, smoke vent system, yacht automation, agricultural machine.

DIMENSION



Aluminum Version (mm)

Standard means without any additional function(Over current protection,hall sensor)
The dimensional tolerance not shown in the drawing can refer to ISO2768-mk



	(mm)	Limit Switch	Hall Sensor	Over Current Protection
13PBR-52 Min. Install dimension	L+S	305+S	325+S	325+S
	A	201	221	221

STANDARD SPECIFICATIONS

Voltage(V)	12	24	Protection Class	IP66
No-load current(A)	≤1.6	≤0.8	Operating temperature(°C)	-20~60
Load current(A)	≤10	≤5	Storage temperature(°C)	-40~70
Max. Power(W)	150		Noise on load (dB)	75
Material of outer tube	6063 Aluminium		Backlash (mm)	0.5-1
Material of lead screw	Trapezoid,Steel		Colour	Black
Material of piston rod	304 stainless steel		Certification	CE
Material of the nut	Plastic		Wire connection	Bare wire/4 pins connector 6 pins connector
Working duty(S2)	Work 2 minutes and rest 18 minutes		End mounting	O type
Life time(cycles)	≥10k		Wire length(m)	1.5

TECHNICAL DATA

Max Load(N)	300	1200	1800	3000	4500	5000	6000
Self-locking Force(N)	600	2400	3600	6000	8000	7500	8000
No-load Speed(mm/s)	88	24	16	9.6	6.4	4.8	4.8
Load Speed(mm/s)	55	15	10	6	4	3	3

Stroke(mm)	50	100	150	200	250	300	350	400
Weight(kg)	1.8	1.9	2	2.1	2.2	2.3	2.4	2.5

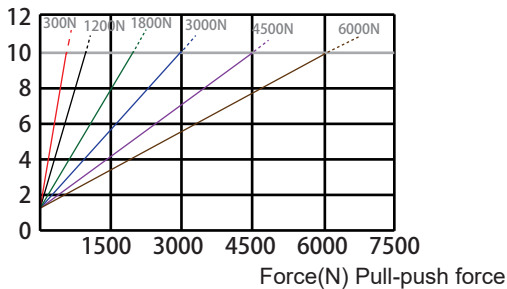
- Customized stroke lengths are available.
- The min stroke:20mm ,the max stroke:500mm.
- The stroke's precision is ± 2 mm.

CURVE

Accuracy of speed or current : $\pm 10\%$, in general, applications in the dashed are not recommended.

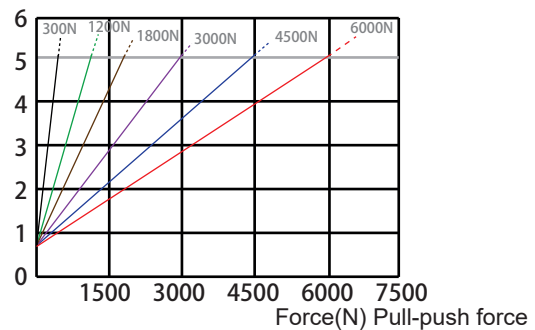
CURVE(Force/ current)

Current (12V)



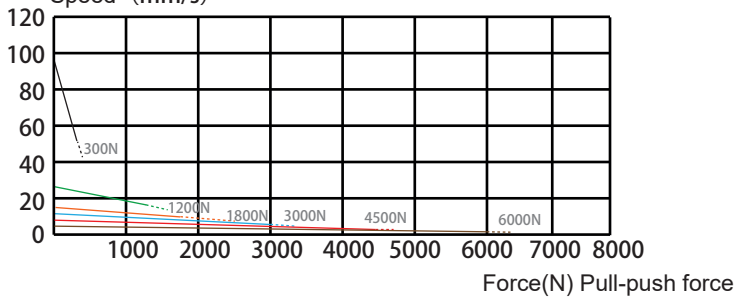
CURVE(Force/ current)

Current (24V)

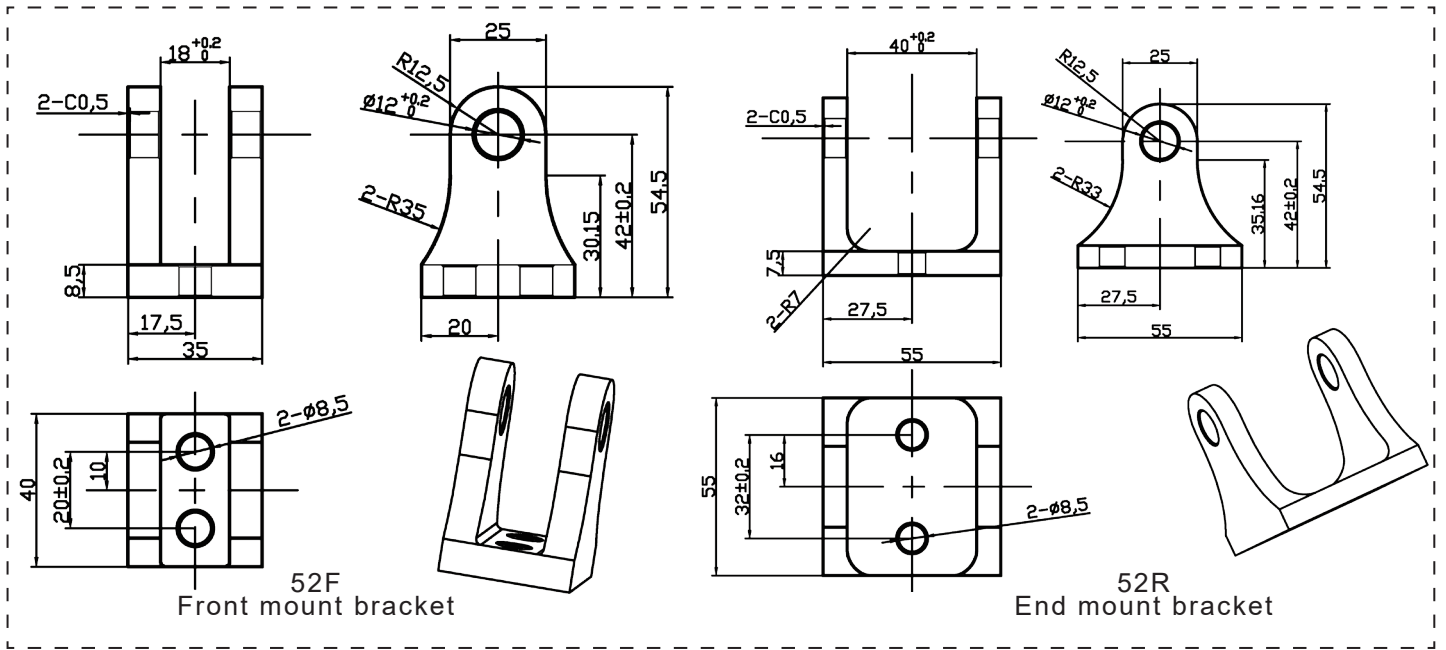


CURVE(Speed/force)

Speed (mm/s)



MOUNTING BRACKET



CONTROLLERS AVAILABLE

One actuator output controller, Two actuator output controller, Three actuator output controller.