

Product Data Sheet

Actuator 01NS52

01NS52 features its stainless extension tube, suitable to work in the harsh condition against dust and rain.



Feature

- Main applications: Industrial equipment
- Input voltage: 24V DC
- Max. load: 1000N (push / pull)
- Max. speed at no load: 25 mm/sec
- Max. speed at full load: 18.5 mm/sec @ 1000N
- Stroke: 100 ~ 300 mm
- Noise Level: ≤ 70 dB
- IP Protection level: IP66 / IP69K
- Color: Black
- Preset limit switch
- Stainless steel front connector and extension tube
- Duty cycle: 10%, max. 2 min. continuous operation in 20 min.
- Ambient operation temperature: $-20^{\circ}\text{C} \sim +40^{\circ}\text{C}$
- Certified: CE Marking, EMC Directive 2014/30/EU

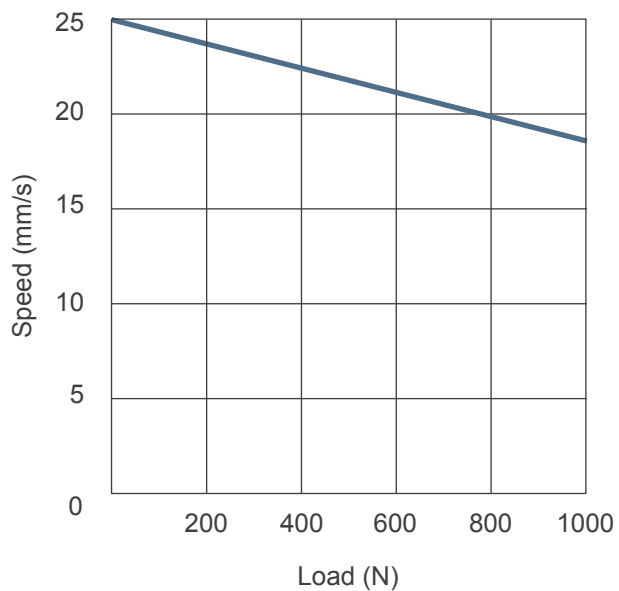
Option

- Bellow protection, available with 100 mm stroke only
- Analog positioning feedback with Potentiometer (POT)

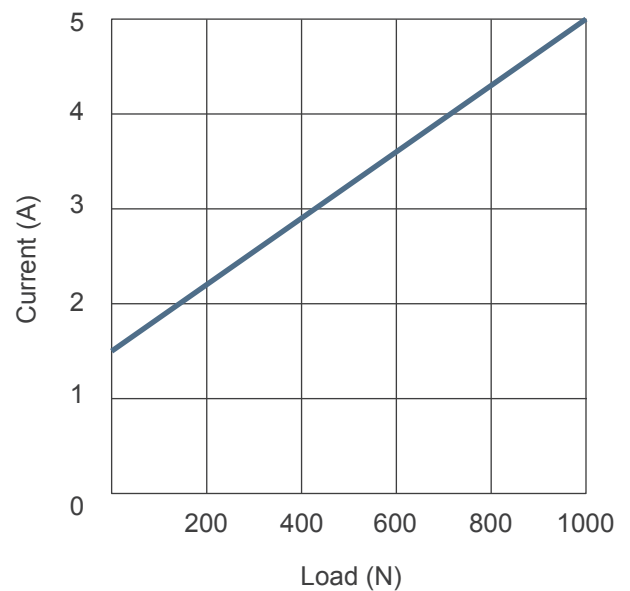
Performance Data

Model No.	Push / Pull Max. (N)	Typical Speed (mm/s)		Typical Current (A) @ 24V	
		No load	Full load	No load	Full load
01NS52-24-M6-XXX.XXX-X-X-X	1000	25.0	18.5	1.5	5.0

Speed vs. Load



Current vs. Load

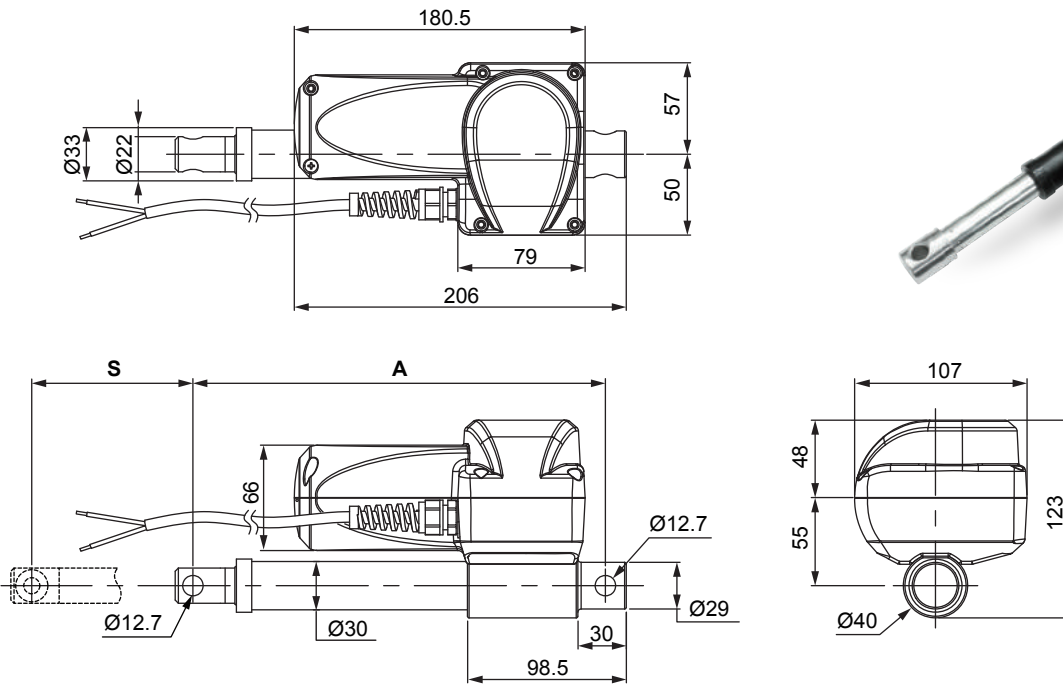


Dimensions

Standard

Retracted length (A) $\geq S + 156$ mm (± 2 mm)

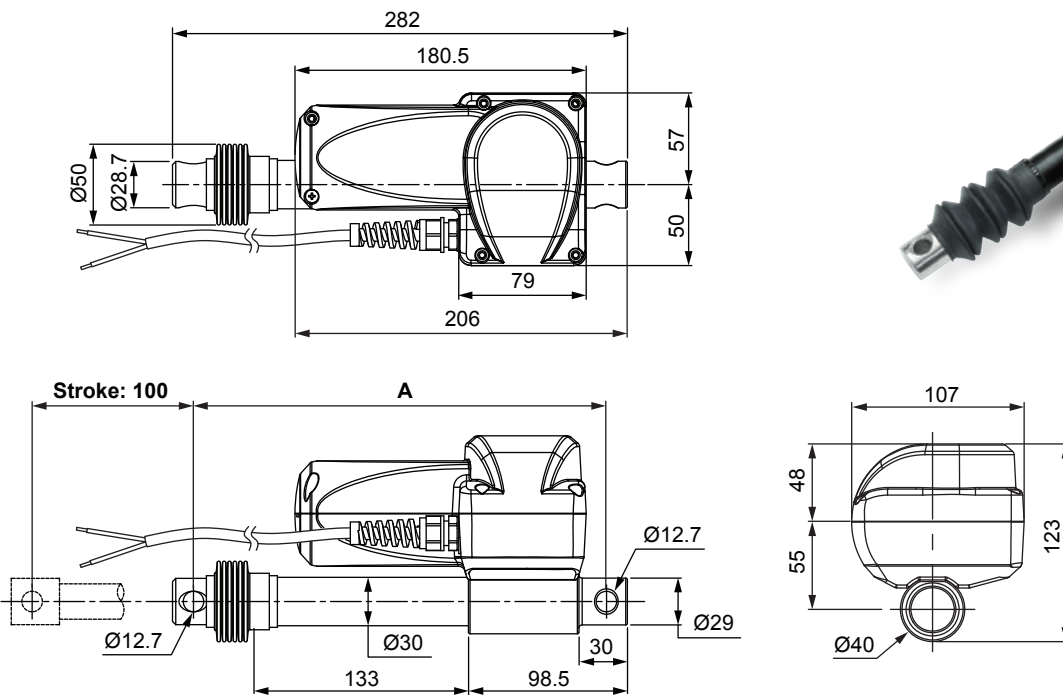
Available stroke (S) range = 100 ~ 300 mm



With bellow protection

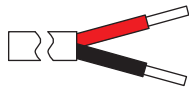
Retracted length (A) $\geq S + 156$ mm (± 2 mm)

Available stroke (S) range = 100 mm



Wiring

Standard



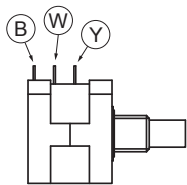
Power	
Red	Black
M+	M-

With potentiometer (POT)

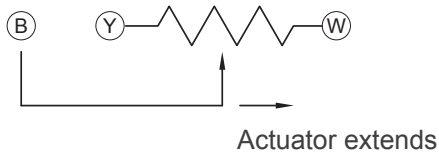
The resistance between blue and yellow wires increased when the actuator extends, and decreased when it retracts.



Power		Signal		
Red	Black	White	Yellow	Blue
M+	M-	VCC	GND	Data



Stroke (mm)	Resistance ($\pm 100\Omega$)
100	1764
150	2645
200	3527
250	4409
300	5291



Remarks:

Connect Red (M+) to '+' & Black (M-) to '-' of DC power, the actuator will extend.

Ordering Key

01NS52 - 24 - M6 - 256 . 356 - P 0 0

Input voltage	24: 24V DC
Motor and Spindle type	M6 (Refer to Performance Data)
Retracted length	XXX (Refer to Dimensions)
Extended length	XXX (Refer to Dimensions)
Positioning feedback	0: None P: Potentiometer (10K Ω /10turns)
Reserved	0: No meaning
Option	0: None 1: Bellow protection