

17SH814

Data Sheet



Overview

1. 24v or 48v brushed DC motor ;
2. Customizable stroke 50mm - 1000mm ;
3. Speed 5.5 mm/s ;
4. Max force 15,000 N ;
5. Operating temp. -15 °C to 40 °C ;
6. Weather protection IP65 ;
7. Endstop signal output and not cut off power automatically ;
8. CE certified ;
9. Suggest re-greasing every 3,000 cycles.



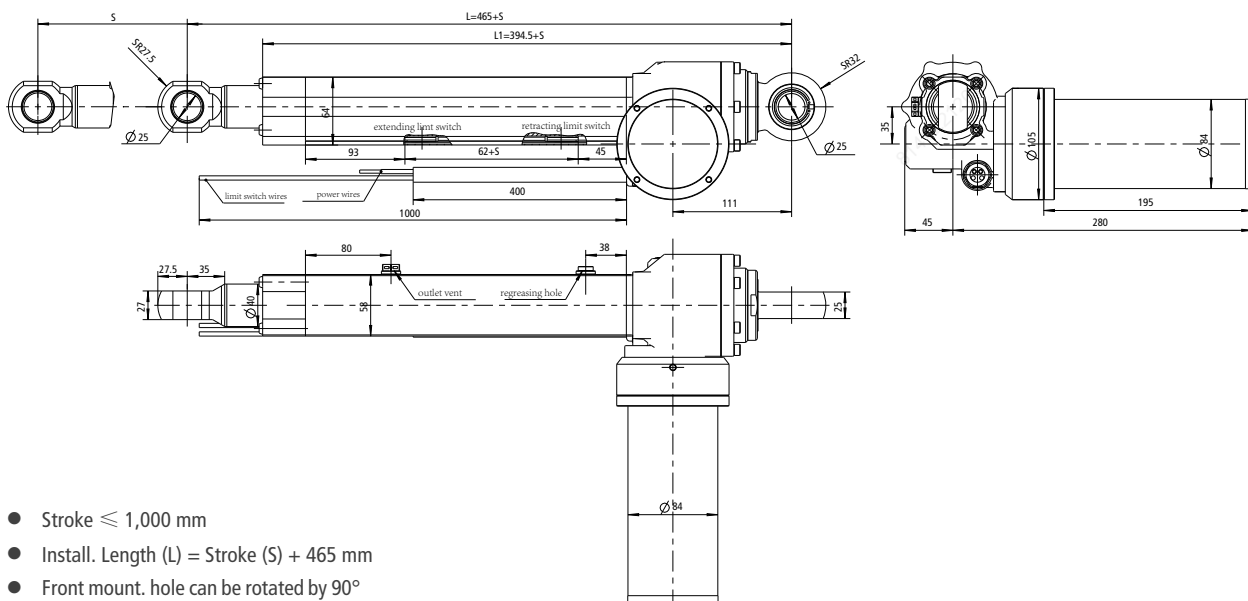
Parameters

Code	Ratio (Worm Gear)	Free-Load Speed	Full-Load Speed	Max. Dynamic Force	Max. Self- Locking	24V DC		48V DC		Ball Screw Item No.
						Free-Load Current	Full-Load Current	Free-Load Current	Full-Load Current	
						mm/s	mm/s	N	N	
A	1 : 30	5.5	5	15,000	20,000	2.6	14	1.3	9.0	GQ2505
B	1 : 30	11	10	7,500	10,000	2.6	14	1.3	9.0	GQ2505

* 24V: duty cycle 15%, 48v: duty cycle 20%, with full load and ambient temperature at 20 °C.

[Table 1]

Dimension



- Stroke \leq 1,000 mm
- Install. Length (L) = Stroke (S) + 465 mm
- Front mount. hole can be rotated by 90°

Inquiry Table

RESET

<input style="width: 100%; height: 30px;" type="text"/>	Motor Type	1 = 24VDC 2 = 48VDC
<input style="width: 100%; height: 30px;" type="text"/>	Code	See Table 1
<input style="width: 100%; height: 30px;" type="text"/>	Stroke (mm)	≤ 1,000 mm
<input style="width: 100%; height: 30px;" type="text"/>	Install. Length (mm)	Stroke + 465mm
<input style="width: 100%; height: 30px;" type="text"/>	Front Mount. End	F01 = Thru. hole \varnothing 25 FX = Custom
<input style="width: 100%; height: 30px;" type="text"/>	Rear Mount. End	R01 = Ball joint \varnothing 25 RX = Custom
<input style="width: 100%; height: 30px;" type="text"/>	Mount. Hole Direction	Front 1 = 0° 2 = 90°
<input style="width: 100%; height: 30px;" type="text"/>		Rear 1 = 0° 2 = 90°
<input style="width: 100%; height: 30px;" type="text"/>	Lead Screw	1 = Ball Screw
<input style="width: 100%; height: 30px;" type="text"/>	Cable Length	1 = 400mm 2 = 1000mm X = Custom
<input style="width: 100%; height: 30px;" type="text"/>	Connector	0 = Tinned bared wires X = Custom
Application	Working Frequency	Estimated cycles work per day
	End Use	Indoor or outdoor, and please describe your end use.
	Your Contact	Company Name Tel. Email